

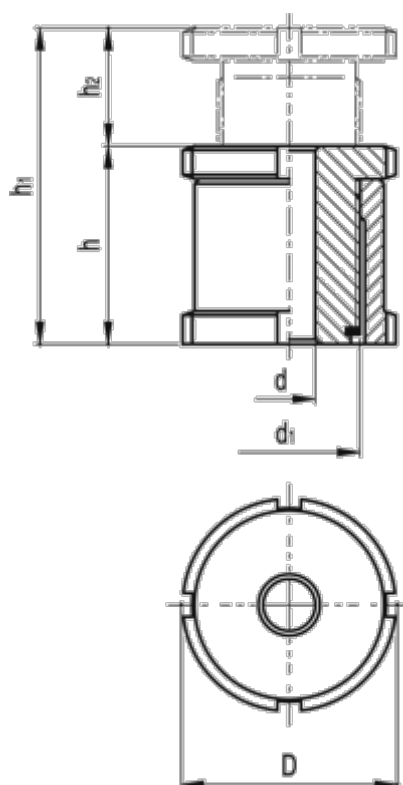
Data Sheet



Article number: 20660172

Description: E+G Levelling set
GN 350-32-6.6-A-ST

Measures



C-spanner DIN 1810 = A30-32

d = 6.6

D = 32

d1 = M20x1

For screw = M6

h = 35

h1 = 55

h2 = 20

Max static load (N) = 65.0

Static preload (N) = 55.7

Weight (g) = 161